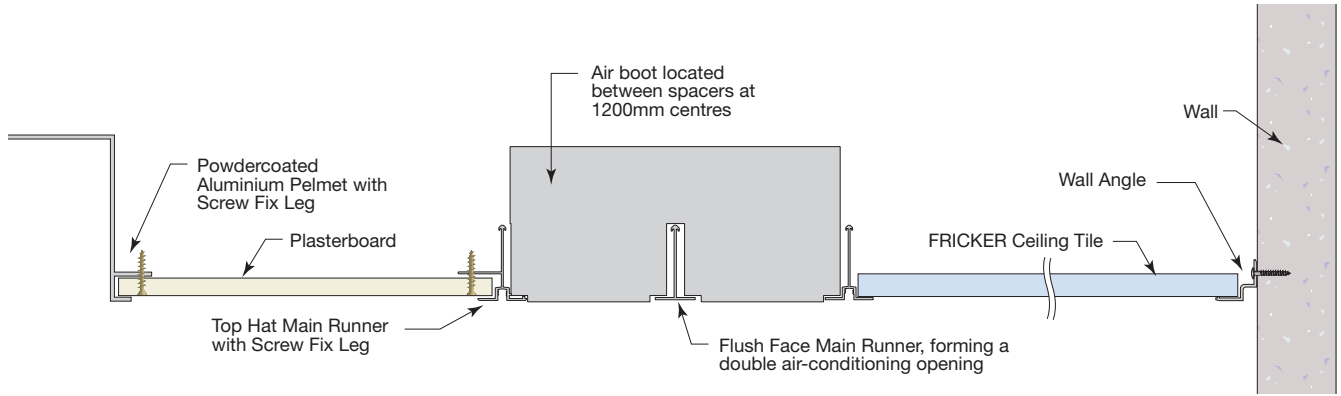
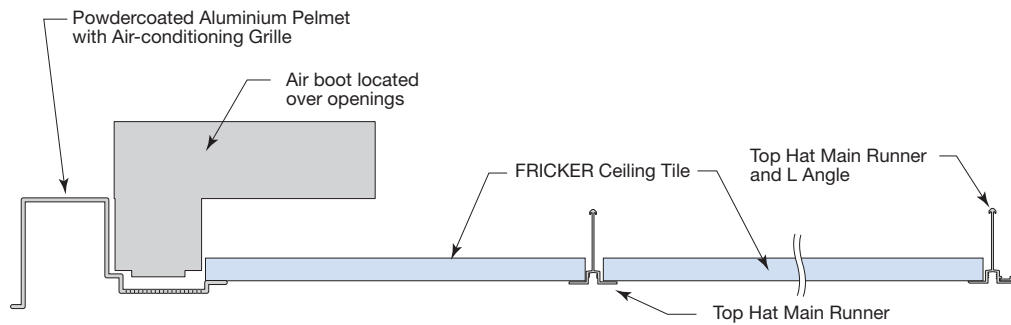


Typical Perimeter and Vent Details

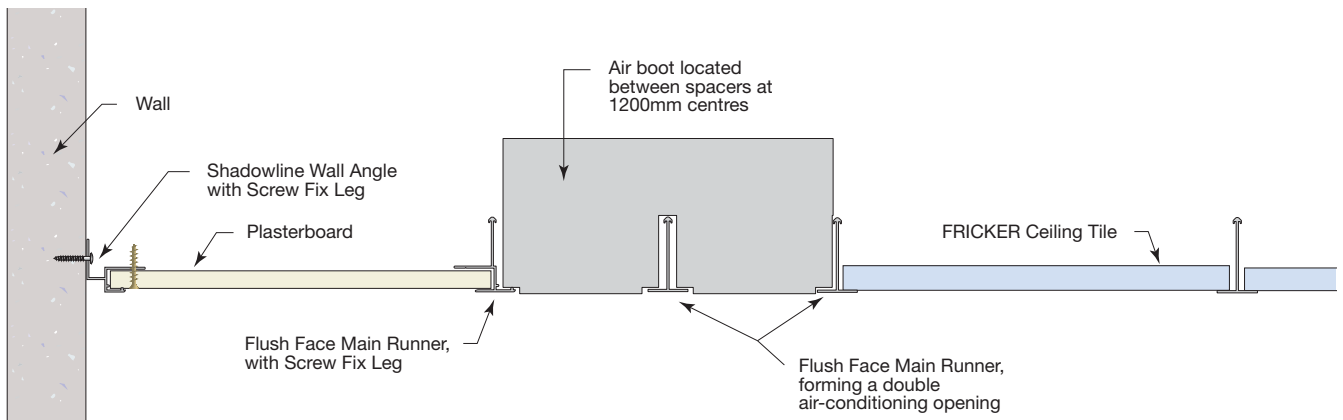
Detail 1 - Powdercoated Aluminium Pelmet with Screw Fix Leg and Shadowline Wall Angle



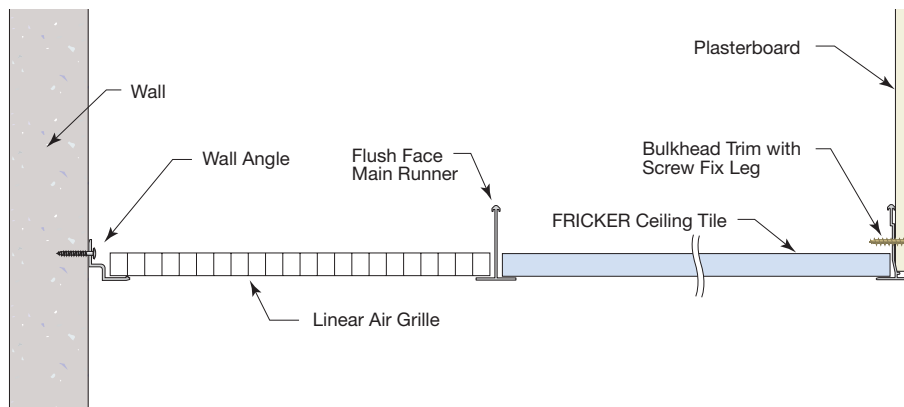
Detail 2 - Powdercoated Aluminium Pelmet with Air-conditioning Opening and Top Hat Runner with L Angle



Detail 3 - Shadowline Wall Angle with Screw Fix Leg and Flush Face Main Runner with Screw Fix Leg



Detail 4 - Shadowline Wall Angle and Bulkhead Trim with Screw Fix Leg

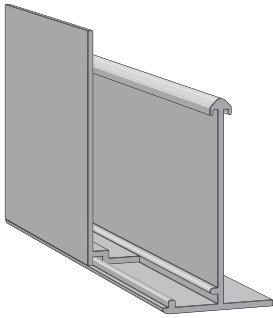


For more information please contact CSR Fricker Ceiling Systems:
 web: www.csrfriker.com.au
 Tel: 1300 FRICKER Fax: 1800 FRICKER
 PO Box R1604 Royal Exchange, NSW, 1225, Australia

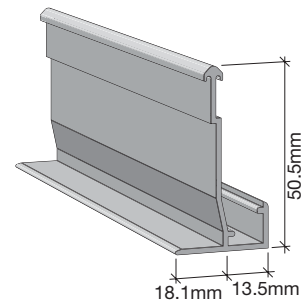


CSR FRICKER Aluminium Ceiling System Profiles

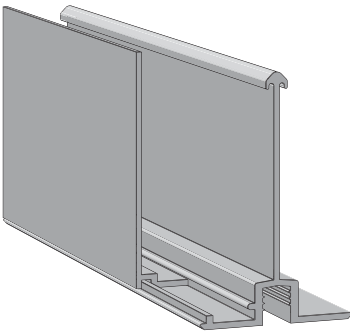
Flush Face Main Runner and 'L' Angle



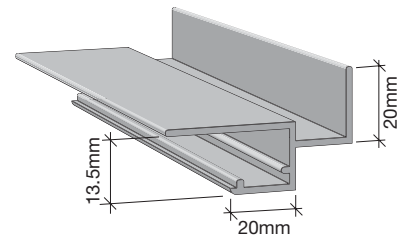
Bulkhead Trim with Screw Fix Leg to accept plasterboard (BH-SF)



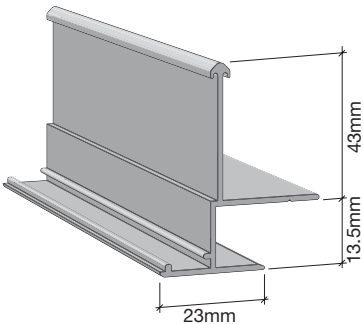
Top Hat Main Runner and 'L' Angle



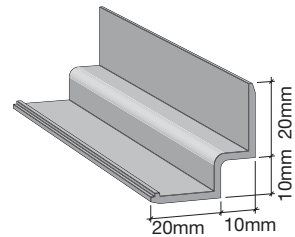
Shadowline Wall Angle with Screw Fix Leg to accept plasterboard (WA-SL-SF)



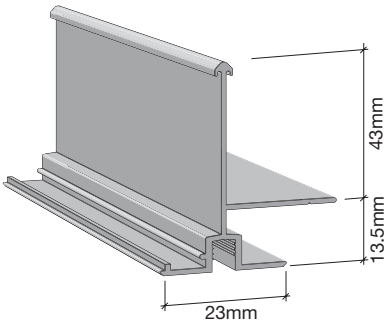
Flush Face Main Runner with Screw Fix Leg to accept plasterboard (MR-FF-SF)



Shadowline Wall Angle (WA-SL)



Top Hat Main Runner with Screw Fix Leg to accept plasterboard



For more information please contact CSR Fricker Ceiling Systems:
web: www.csfricker.com.au
Tel: 1300 FRICKER Fax: 1800 FRICKER
PO Box R1604 Royal Exchange, NSW, 1225, Australia